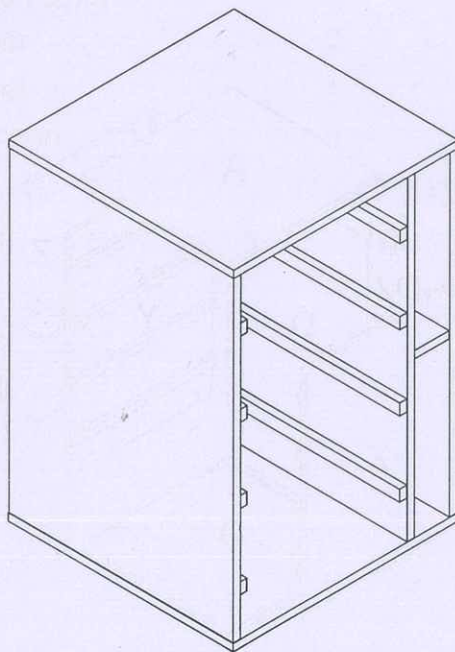


ASSEMBLY INSTRUCTIONS

ITEM No.:HRN.KD.D1



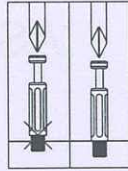


Turn clockwise to lock cam with bolt.

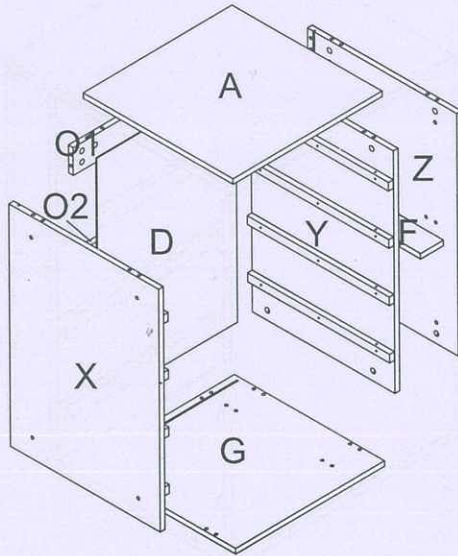


The arrow direction-front

Incorrect Correct



Screw cam bolts all the way in.



PARTS LIST

ITEM	DESCRIPTION	QTY.
A	Top panel	1
G	Bottom panel	1
D	Back panel	2
X	Left side panel	1
Z	Right side panel	1
F	Shelf Panel	6
O1	Panel	2
O2	Panel	1
Y	Partition	1

PARTS LIST

ITEM	DESCRIPTION	QTY.	ITEM	DESCRIPTION	QTY.
(c1)	6*35 Cam Bolt	28	(b1)	6*30 Fix Bolt	4
(d1)	8*30 Dowel pin	12	(c3)	Cover	4
(c2)	(3/8") Cam Cover	28	(s5)	Feet	4
			(a)	Wrench	1



(c1) 6*35 Cam Bolt-32



(d1) 8*30 Dowel Pin-20



(c2) (3/8") Cam Cover-32



(s5) Alignment Pin-6



(a) Wrench-1



(b1) 6*30 Fix Bolt-4



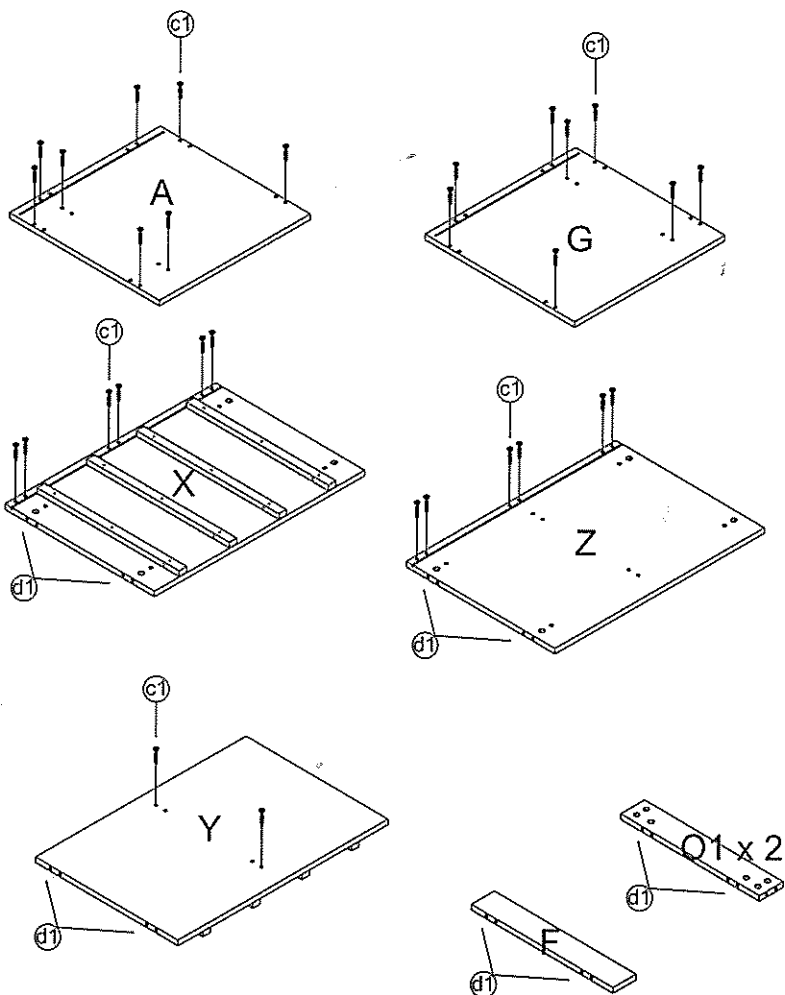
(c3) Cover-4

Pre-installed parts



(c5) Cam

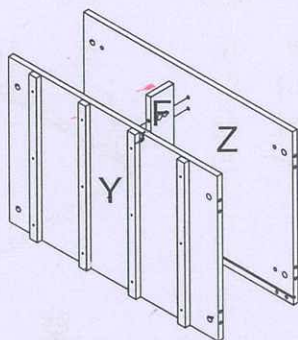
STEP 1



Preparing panel A.G.X.Z.F.Y and O1.

1. Insert cam bolts (c1) into panels A.G.X.Z and Y as illustrated above.
2. Insert dowel pins (d1) to panels X.Z.O1.F and Y as illustrated above.

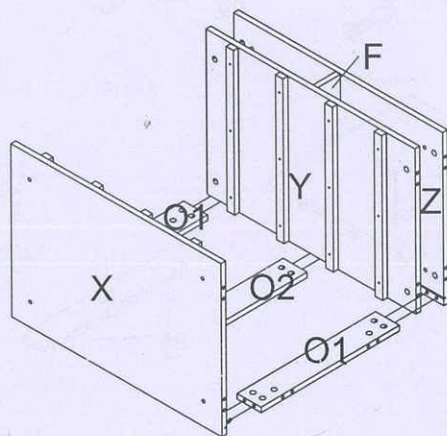
STEP 2



Panel Z.Y and F assembly.

1. Insert cam bolts (C) on panel Y and Z into cams on panels F and tighten in a clockwise direction as illustrated above.

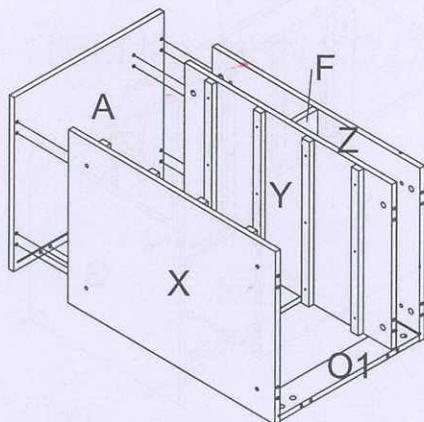
STEP 3



Panel X.O1 and O2 assembly.

1. Insert cam bolts (C) on panel X and Z into cams on panels O1 and O2 and tighten in a clockwise direction as illustrated above.

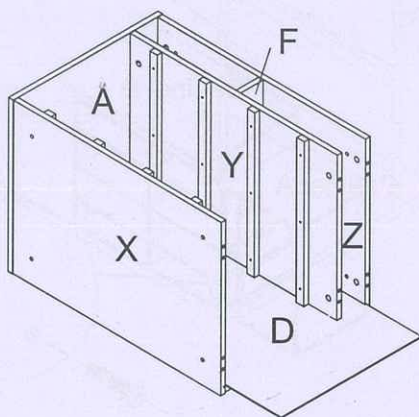
STEP 4



Panel A assembly.

1. Insert cam bolts (C) on panel A into cams on panels Y, O1, X and Z and tighten in a clockwise direction as illustrated above.

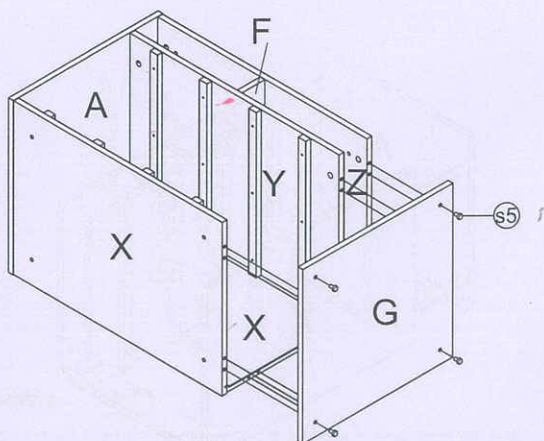
STEP 5



Panel D and Plastic strip assembly.

1. Insert panel D into panel X, Z and A illustrated above.

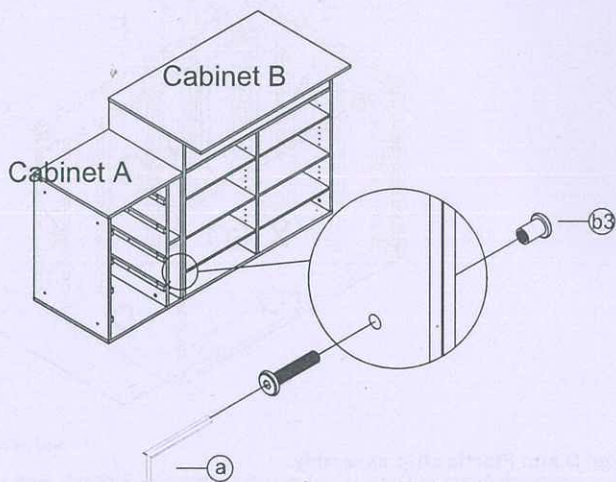
STEP 6



Panel G assembly.

1. Insert cam bolts (c1) on panel G into cams on panels Y, O1, X and Z and tighten in a clockwise direction as illustrated above.
2. Insert feet (s5) into panel G.

STEP 7



Fix Bolt assembly.

1. Connecting Cabinet A and B is using Wrench (a) to insert Fix Bolt (b3) as illustrated above.

You have now successfully completed the assembly on item:

ITEM No.:HRN.KD.D1

