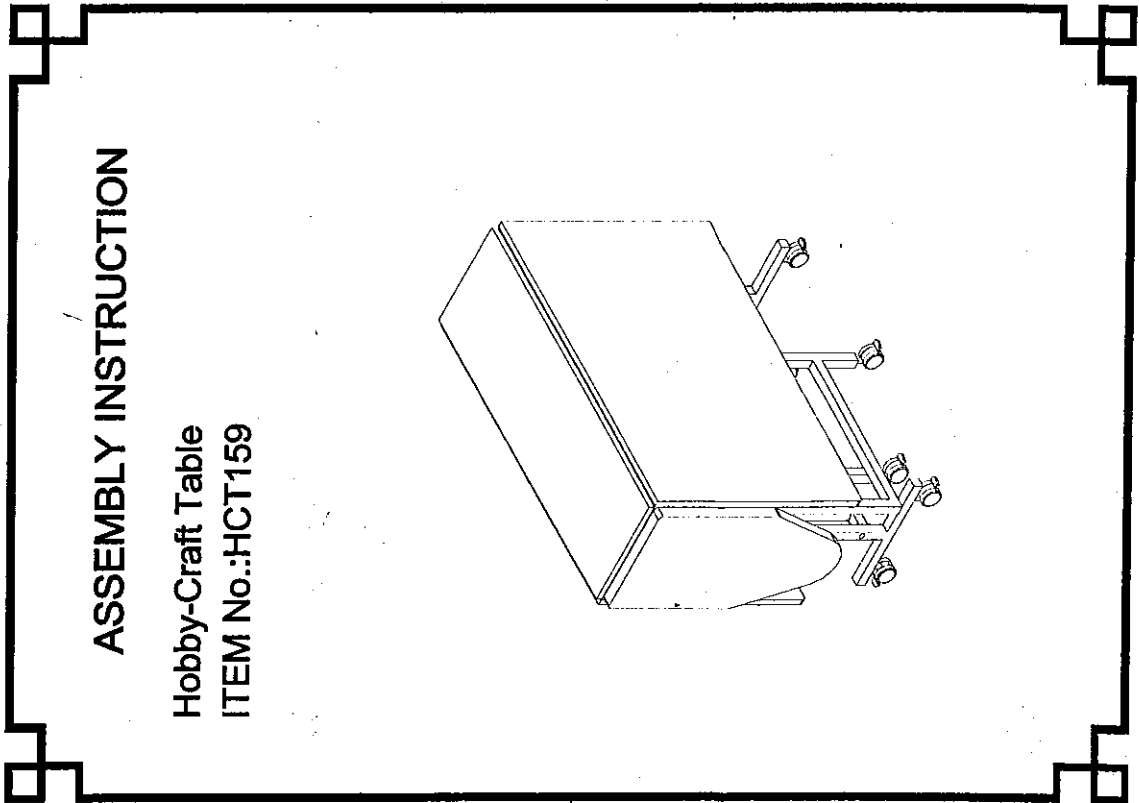
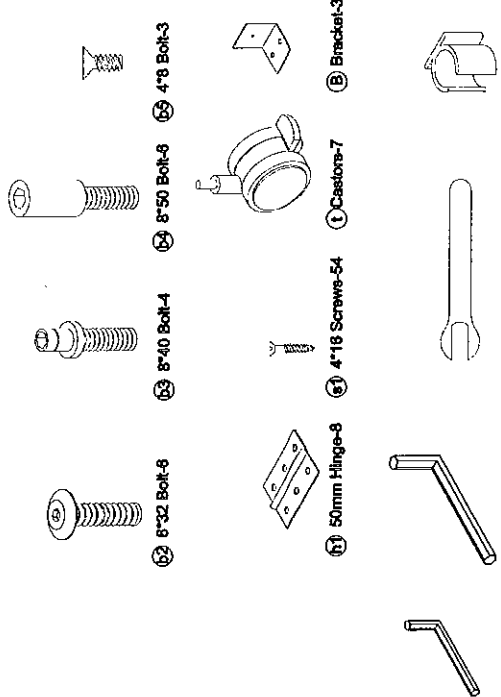


28/8/16 current

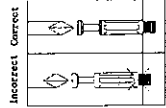


PARTS LIST

ITEM	DESCRIPTION	QTY.	ITEM	DESCRIPTION	QTY.
A	Top panel	1	62	6*32 Bolts	6
A1	Top panels	2	63	8*40 Bolts	4
A2	Top panel	1	64	8*50 Bolts	6
X	Side legs	1	65	4*8 Bolts	3
Z	Side legs	1	66	4*16 Screws	54
L	Large support leg	2	67	50mm Hinge	8
S	Small support leg	1	L	Castors	7
R1	Top rail	1	11	4mm Allen key	1
R2	Bottom rail	1	2	5mm Allen key	1
			3	14mm Spanner	1
			4	Bracket	3
			5	Plastic tube	3



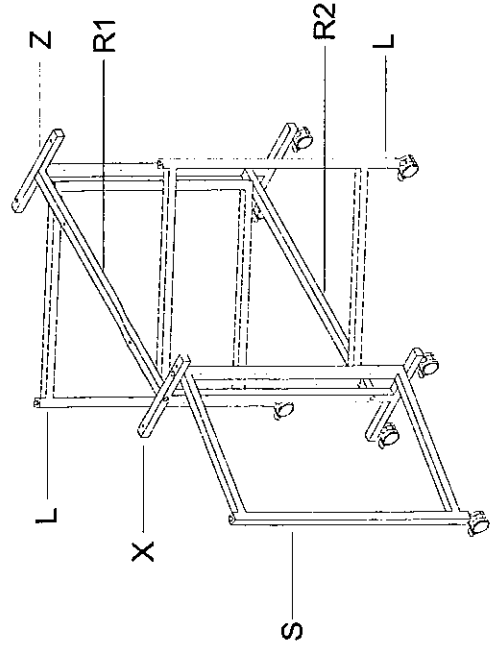
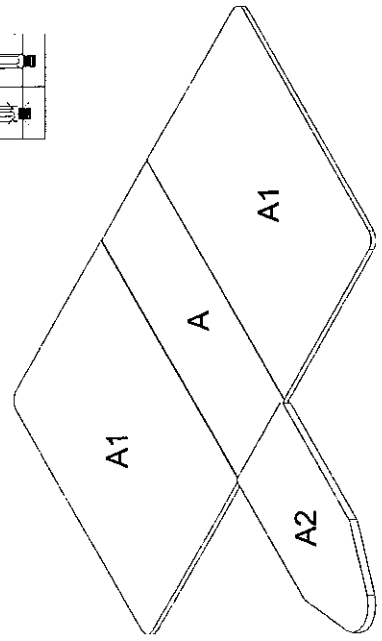
① 4mm Allen key-1 ② 5mm Allen key-1 ③ 14mm Spanner-1 ④ Plastic tube-3

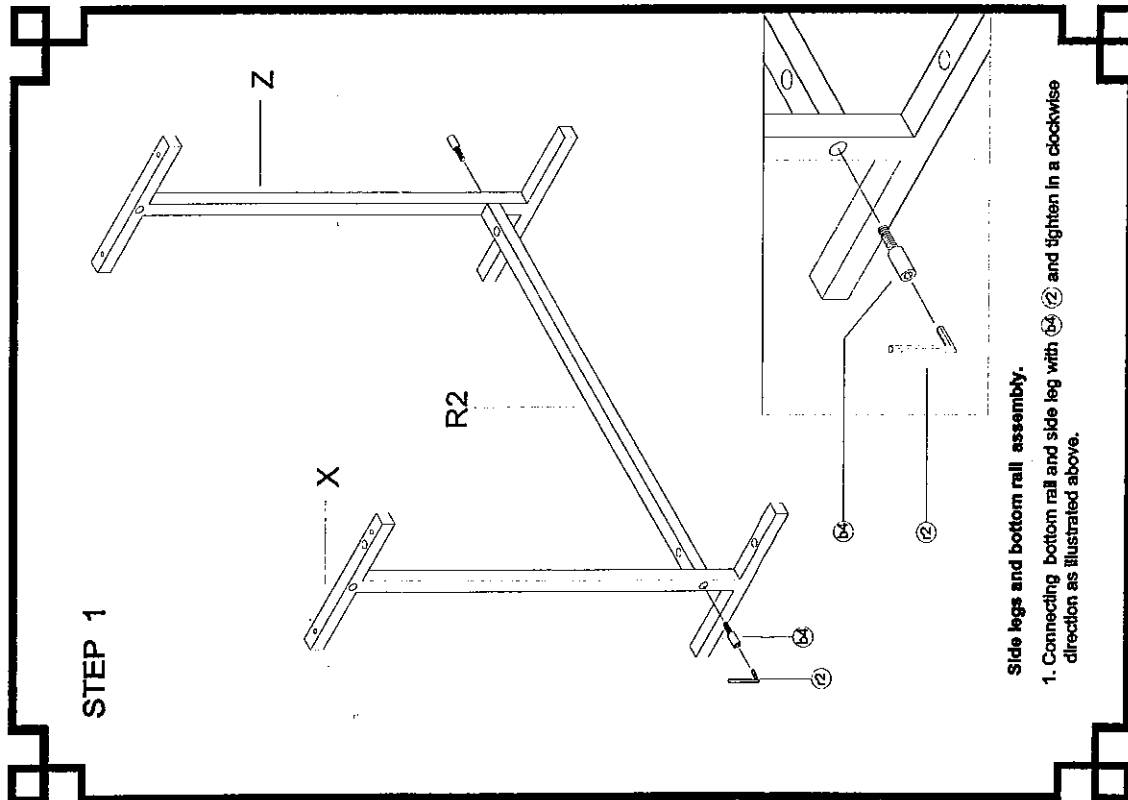


Incorrect Correct

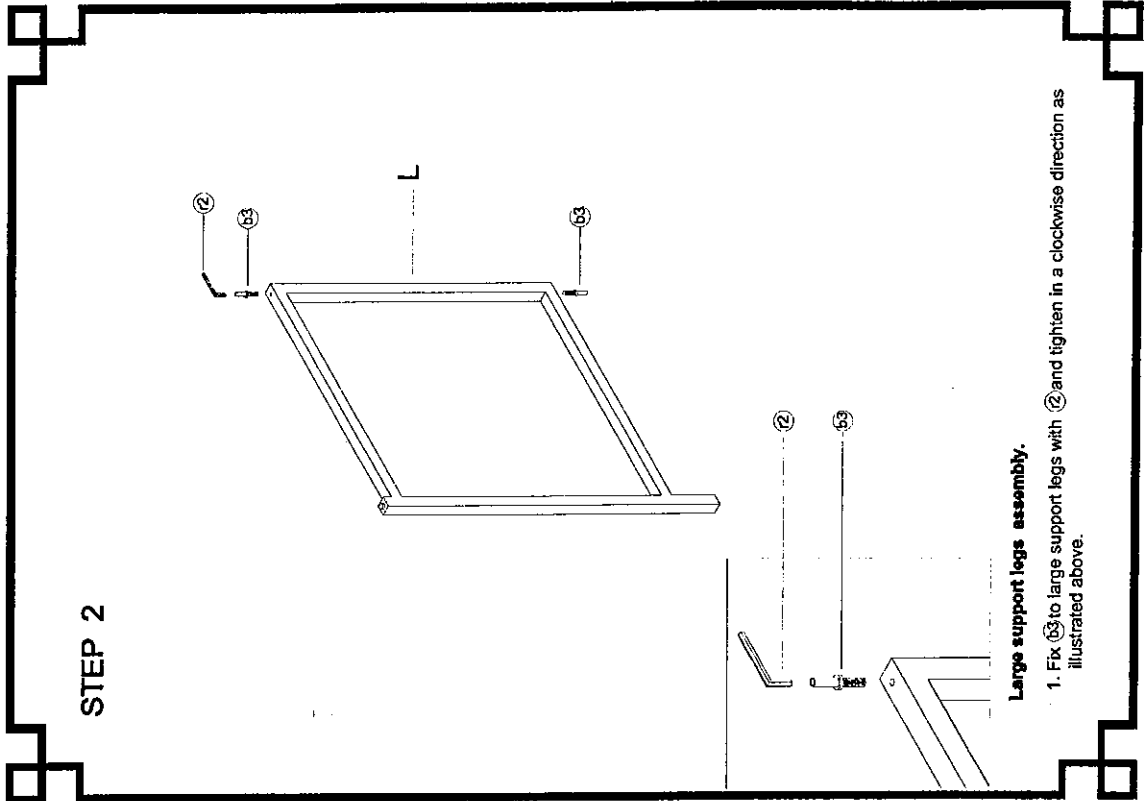


The turning direction of attaching

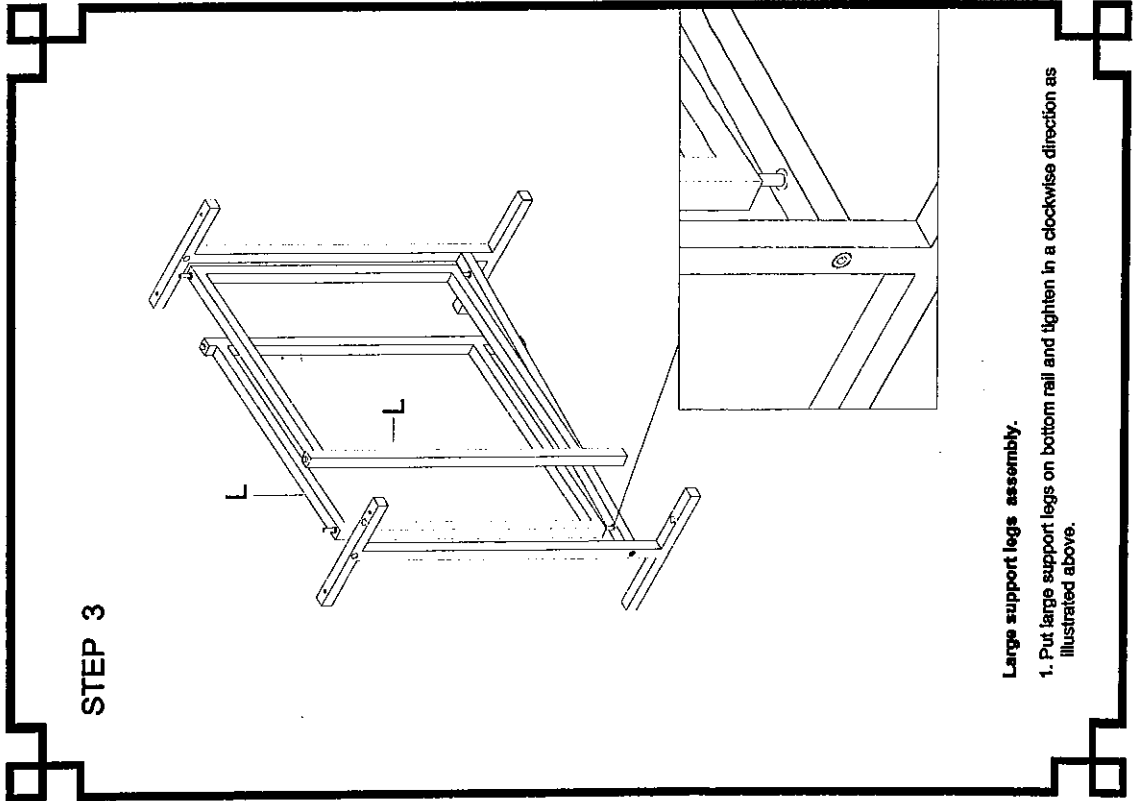




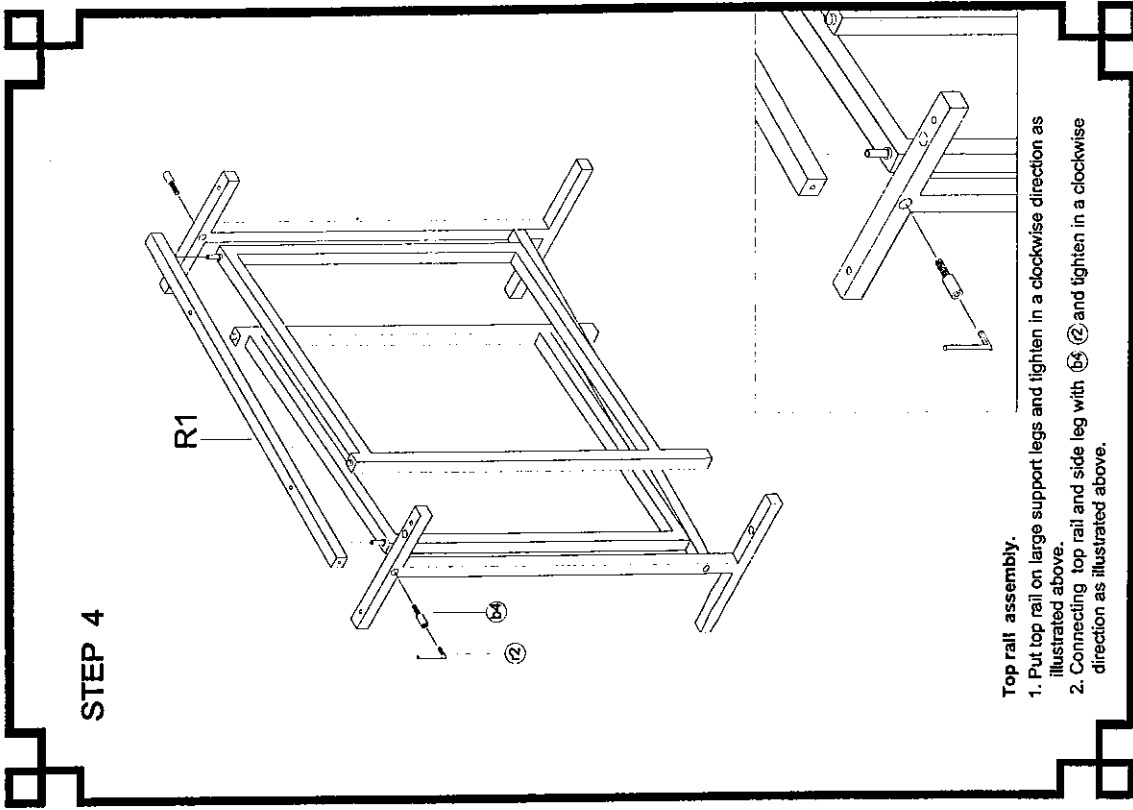
3



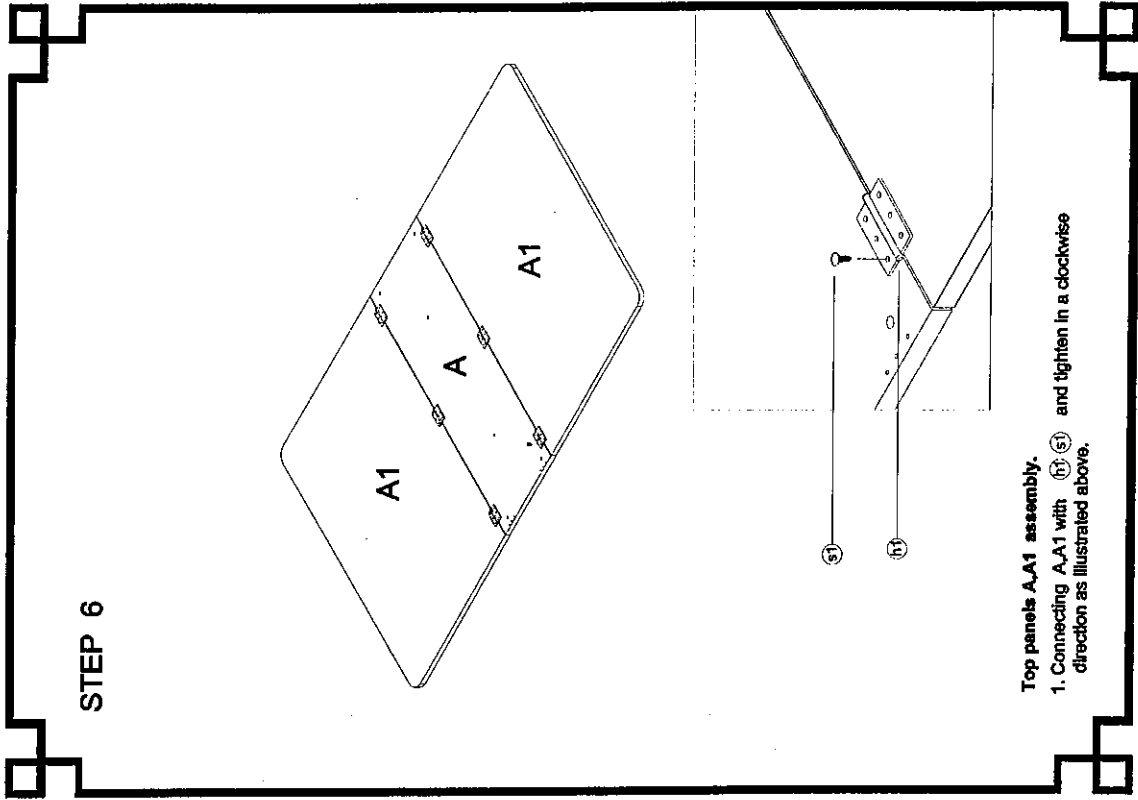
4



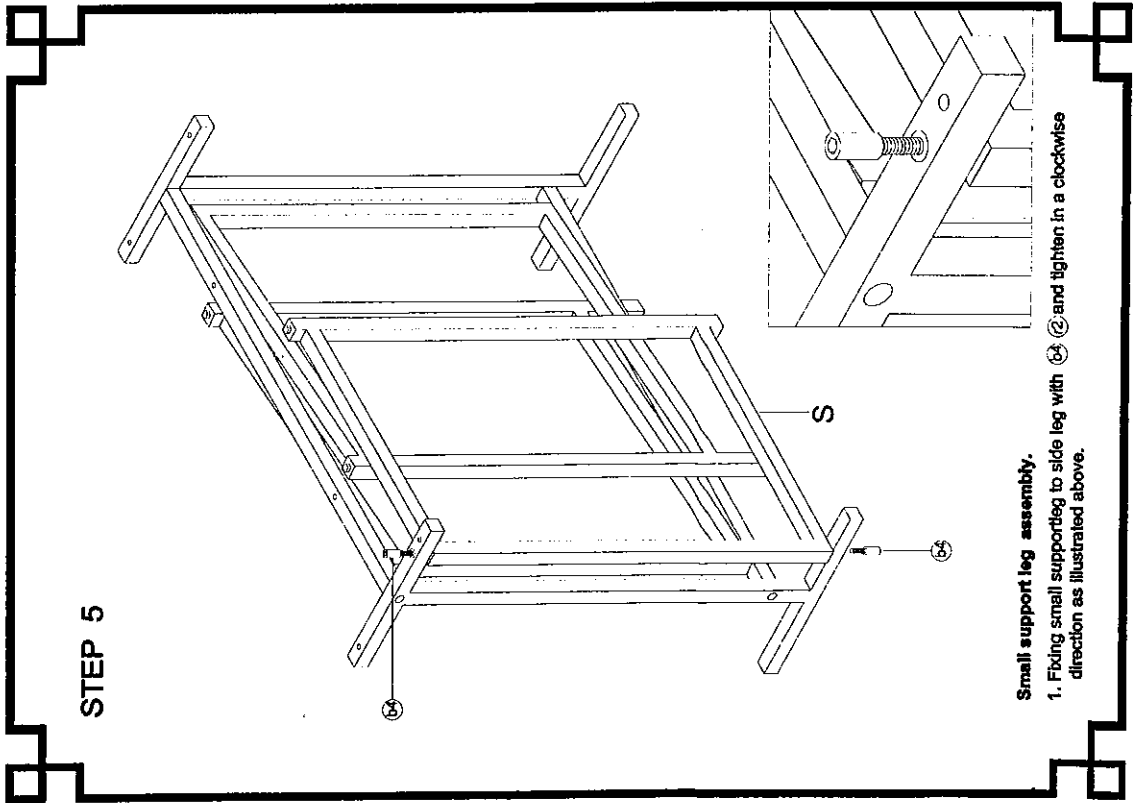
5



6



8



7

